

4. Wiring Schematic

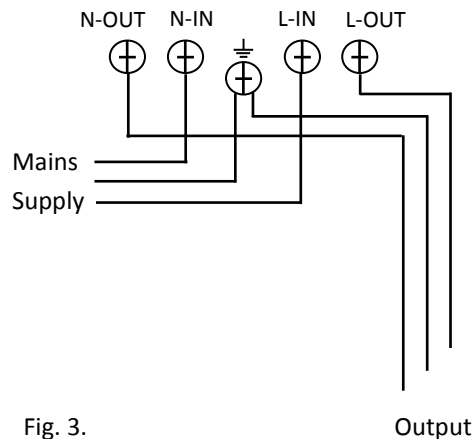


Fig. 3.

If the appliance is connected by a flexible cord conductor, remove the blanking cover, break-off the cover section, and re-use the clamp part as a cable restraint. Rotate the clamp to best effect according to the diameter of the flexible conductor. (See Fig. 4.)

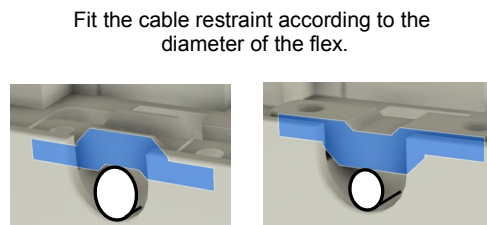


Fig. 4.

5. Specification

Power supply: 220-240V AC 50Hz

Temperature rating: T45

IP rating: IP20

Rating: 16A resistive

Not suitable for direct switching of lighting types: Fluorescent, HID, SON, LED

Use a contactor for discharge lamps

Suitable for fitting to surface or flush mounted socket box. For fixed supply wiring only.

Class II control / Protection class IP20

Complies with European Norm EN 60730-1: 2011

Automatic Electrical Controls for Household and similar use, and European Directives:

LVD; EMC; RoHS

www.tfc-group.co.uk

TFC Group Tonbridge TN9 1TB



OPTIMUM Boost Timer

Installation and User instructions

< 2 Hour Electronic Boost Timer

OP-EBT2



1. Description
2. Operating instructions
3. Installation instructions
4. Wiring Schematic
5. Specification

1. Description

The Optimum OP-EBT2 boost timer (see Fig. 1.) provides four pre-set delay-to-off outputs, allowing timed control of any mains electrical load up to 16 Amps resistive rating. The timer will fit on to a standard single surface or recessed patress-box. A blanking cover for a surface-run flexible cord outlet is provided, with built-in cord restraint. If the patress box lacks an earth continuity terminal, a suitable earth-park terminal is provided on the back of the boost timer (see Fig. 2.)

Press the Boost button to switch the output on and set the required delay to off.

2. Operating Instructions

Press the Boost button
1 x for 15 minutes
2 x for 30 minutes
3 x for 1 hour
4 x for 2 hours
5 x to cancel the boost, and switch off.

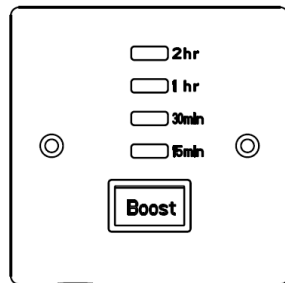


Fig. 1.

You can press the boost button at any time, to increase or to cancel the boost period.

When the boost button is pressed, the output is switched on. The blue LED's illuminate to show the time selected.

As the delay time elapses, the blue LED's will go out. Each LED will flash for the last minute of it's part of the selected delay. The 15 min LED will flash during the last minute of operation, as a warning that the output is about to switch off.

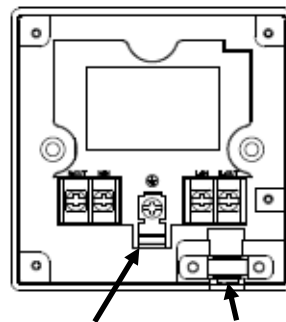


Fig. 2.

Earth park terminal

Channel for flex output

3. Installation guide

Installation must be carried out in accordance with the current edition of the I.E.E. Wiring Regulations. It is recommended that installation is undertaken only by a qualified electrician.

Installation Procedure

Ensure the circuit to be used is switched off, and is protected by suitable circuit protection equipment.

Connect mains supply (see Fig. 3.)

Live to L - IN

Neutral to N - IN

Earth to Earth park terminal

Connect Load:

Live to L - OUT

Neutral to N - OUT

Earth to Earth park terminal