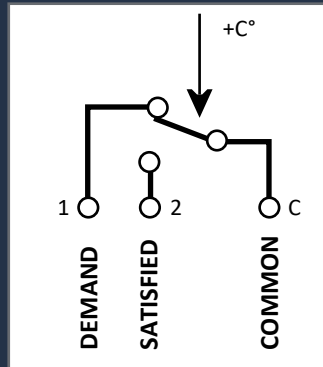
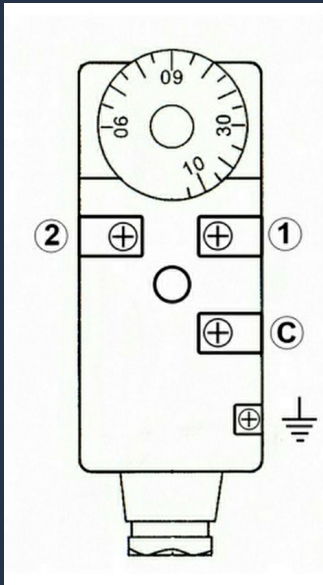




PRODUCT DATA SHEET

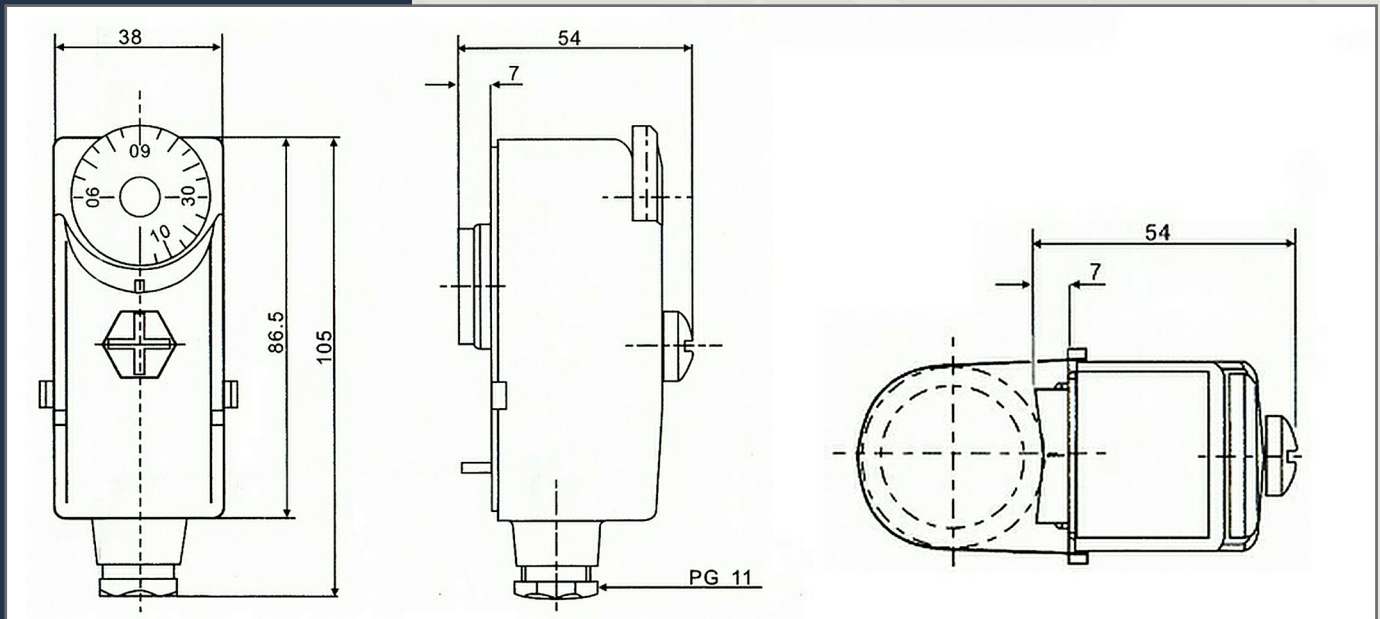
**PCS - PIPE / CYLINDER STAT
240V AC / 16A**

- MOUNTS ON WATER PIPES / HOT WATER CYLINDERS
- RANGE 10 TO 90 DEGREES C
- RATING 16(4) AMPS AT 250V AC
- SWITCH TYPE SINGLE POLE / DOUBLE THROW
- DIFFERENTIAL 5 DEGREES C
- PROTECTION IP40



GENERAL SPECIFICATION

Temperature range	10 / 90 °C
Differential	5°C
Sensing element max temperature resistance	110°C
Thermostat pin rotation	270°
Cover material	ABSUL94 V0
Base material	Galvanised steel
Protection grade	IP40
Contact rating	16(4)A 250V ~ 6(1)A 400V ~



TFC GROUP

PIPE / CYLINDER THERMOSTAT



Cert No: RS 30178
QR057

TFC GROUP, TOWER HOUSE, VALE RISE, TONBRIDGE, KENT TN9 1TB

Tel: 01732 351680 Fax: 01732 354445 www.tfc-group.co.uk

Prepared for TFC Group LLP By: M. Edmonston

Issue 1: July 2018

Page 1 of 1